

INA185-Q1 AEC-Q100、26V、350kHz 双向高精度电流感应放大器

1 特性

- 符合面向汽车应用的 AEC-Q100 标准
 - 温度等级 1 : $-40^{\circ}\text{C} \leq T_A \leq 125^{\circ}\text{C}$
 - HBM ESD 分类等级 2
 - CDM ESD 分类等级 C6
- 功能安全型
 - 可提供用于功能安全系统设计的文档
- 共模范围 (V_{CM}) : -0.2V 至 26V
- 高带宽 : 350kHz (A1 器件)
- 失调电压 :
 - $V_{CM} = 0\text{V}$ 时为 $\pm 55\mu\text{V}$ (最大值)
 - $V_{CM} = 12\text{V}$ (A4 器件) 为 $\pm 100\mu\text{V}$ (最大值)
- 输出压摆率 : $2\text{V}/\mu\text{s}$
- 双向电流检测功能
- 精度 :
 - 最大增益误差 (A1、A2、A3) : $\pm 0.2\%$
 - 最大温漂 : $0.5\mu\text{V}/^{\circ}\text{C}$
- 增益选项 :
 - $20\text{V}/\text{V}$ (A1 器件)
 - $50\text{V}/\text{V}$ (A2 器件)
 - $100\text{V}/\text{V}$ (A3 器件)
 - $200\text{V}/\text{V}$ (A4 器件)
- 静态电流 : $260\mu\text{A}$ (最大值)

2 应用

- 车身控制模块
- 区域控制模块
- ADAS 域控制器
- ADAS 传感器诊断

3 说明

INA185-Q1 电流检测放大器专为成本敏感、空间受限的应用而设计。此器件是一个双向电流检测放大器 (也称为电流分流监控器), 可在独立于电源电压的 -0.2V 至 26V 范围内的共模电压中感测电流检测电阻器上的压降。INA185-Q1 集成了匹配的电阻增益网络, 支持四个固定增益器件选项: $20\text{V}/\text{V}$ 、 $50\text{V}/\text{V}$ 、 $100\text{V}/\text{V}$ 或 $200\text{V}/\text{V}$ 。此匹配的增益电阻网络可最大限度地减少增益误差, 并降低温度漂移。

INA185-Q1 在 2.7V 至 5.5V 单电源下运行。该器件消耗的最大电源电流为 $260\mu\text{A}$, 并且具有高压摆率和带宽, 因此非常适合许多电源和电机控制应用。

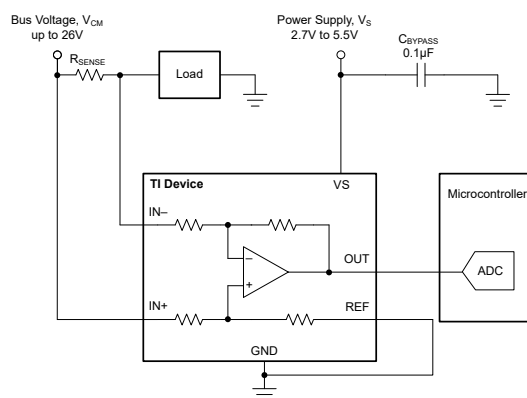
INA185-Q1 采用业界通用的 SC70 封装。此器件在 -40°C 至 125°C 的扩展工作温度范围内额定运行。

封装信息

器件型号	封装 ⁽¹⁾	封装尺寸 ⁽²⁾
INA185-Q1	DCK (SC70, 6)	2.00mm × 2.10mm

(1) 有关所有可选封装, 请参阅节 10。

(2) 封装尺寸 (长 × 宽) 为标称值, 并包括引脚 (如适用)。



典型应用电路



Table of Contents

1 特性	1	7.1 Application Information.....	11
2 应用	1	7.2 Typical Application.....	15
3 说明	1	7.3 Power Supply Recommendations.....	17
4 Pin Configuration and Functions	3	7.4 Layout.....	18
5 Specifications	4	8 Device and Documentation Support	19
5.1 Absolute Maximum Ratings	4	8.1 Device Support.....	19
5.2 ESD Ratings.....	4	8.2 Documentation Support.....	19
5.3 Recommended Operating Conditions.....	4	8.3 接收文档更新通知.....	19
5.4 Thermal Information.....	4	8.4 支持资源.....	19
5.5 Electrical Characteristics.....	5	8.5 Trademarks.....	19
6 Detailed Description	6	8.6 静电放电警告.....	19
6.1 Overview.....	6	8.7 术语表.....	19
6.2 Functional Block Diagrams.....	6	9 Revision History	19
6.3 Feature Description.....	6	10 Mechanical, Packaging, and Orderable	
6.4 Device Functional Modes.....	8	Information	19
7 Application and Implementation	11		

4 Pin Configuration and Functions

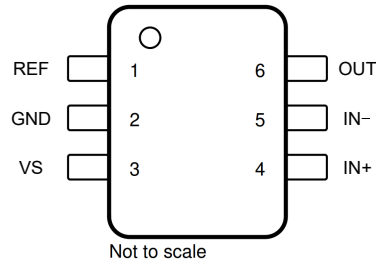


图 4-1. INA185: DCK Package 6-Pin SC70 Top View

表 4-1. Pin Functions

PIN		TYPE	DESCRIPTION
NAME	SC70		
GND	2	Analog	Ground
IN -	5	Analog input	Current-sense amplifier negative input. For high-side applications, connect to load side of sense resistor. For low-side applications, connect to ground side of sense resistor.
IN+	4	Analog input	Current-sense amplifier positive input. For high-side applications, connect to bus-voltage side of sense resistor. For low-side applications, connect to load side of sense resistor.
OUT	6	Analog output	Output voltage
REF	1	Analog input	Reference input
VS	3	Analog	Power supply, 2.7V to 5.5V

5 Specifications

5.1 Absolute Maximum Ratings

over operating free-air temperature range (unless otherwise noted)⁽¹⁾

		MIN	MAX	UNIT
V _S	Supply voltage		6	V
	Analog inputs, IN+, IN - ⁽²⁾	Differential (V _{IN+}) - (V _{IN-})	- 28	28
		Common-mode ⁽³⁾	GND - 0.3	28
V _{REF}	Reference voltage	GND - 0.3	V _S + 0.3	V
V _{OUT}	Output voltage ⁽³⁾	GND - 0.3	V _S + 0.3	V
T _A	Operating temperature	- 55	150	°C
T _J	Junction temperature		150	°C
T _{stg}	Storage temperature	- 65	150	°C

- (1) Stresses beyond those listed under *Absolute Maximum Ratings* may cause permanent damage to the device. These are stress ratings only, which do not imply functional operation of the device at these or any other conditions beyond those indicated under *Recommended Operating Conditions*. Exposure to absolute-maximum-rated conditions for extended periods may affect device reliability.
- (2) V_{IN+} and V_{IN-} are the voltages at the IN+ and IN - pins, respectively.
- (3) Input voltage at any pin can exceed the voltage shown if the current at that pin is limited to 5 mA.

5.2 ESD Ratings

		VALUE	UNIT
V _(ESD)	Electrostatic discharge	Human-body model (HBM), per ANSI/ESDA/JEDEC JS-001 ⁽¹⁾	±3000
		Charged-device model (CDM), per JEDEC specification JESD22-C101 ⁽²⁾	±1000

- (1) JEDEC document JEP155 states that 500-V HBM allows safe manufacturing with a standard ESD control process.
- (2) JEDEC document JEP157 states that 250-V CDM allows safe manufacturing with a standard ESD control process.

5.3 Recommended Operating Conditions

over operating free-air temperature range (unless otherwise noted)

		MIN	NOM	MAX	UNIT
V _{CM}	Common-mode input voltage	-0.2	12	26	V
V _S	Operating supply voltage	2.7	5	5.5	V
T _A	Operating free-air temperature	- 40		125	°C

5.4 Thermal Information

THERMAL METRIC ⁽¹⁾		INA185-Q1
		DCK (SC70)
		6 PINS
R _{θJA}	Junction-to-ambient thermal resistance	188.0
R _{θJC(top)}	Junction-to-case (top) thermal resistance	140.8
R _{θJB}	Junction-to-board thermal resistance	78.8
ψ _{JT}	Junction-to-top characterization parameter	62.1
ψ _{JB}	Junction-to-board characterization parameter	78.5
R _{θJC(bot)}	Junction-to-case (bottom) thermal resistance	N/A

- (1) For more information about traditional and new thermal metrics, see the [Semiconductor and IC Package Thermal Metrics application report](#).

5.5 Electrical Characteristics

at $T_A = 25^\circ\text{C}$, $V_{\text{SENSE}} = V_{\text{IN}+} - V_{\text{IN}-}$, $V_S = 5\text{V}$, $V_{\text{REF}} = V_S / 2$, and $V_{\text{IN}+} = 12\text{V}$ (unless otherwise noted)

PARAMETER		CONDITIONS		MIN	TYP	MAX	UNIT
INPUT							
CMRR	Common-mode rejection ratio, RTI ⁽¹⁾	$V_{\text{IN}+} = 0\text{V to } 26\text{V}$, $V_{\text{SENSE}} = 0\text{mV}$, $T_A = -40^\circ\text{C to } 125^\circ\text{C}$	A1 device	86	100		dB
			A2, A3 devices	96	100		
			A4 devices	106	120		
V _{OS}	Offset voltage, RTI	$V_{\text{SENSE}} = 0\text{mV}$, $V_{\text{IN}+} = 0\text{V}$	A1 devices		±25	±135	μV
			A2, A3, A4 devices		±5	±55	
			A1 devices		±100	±450	
			A2, A3 devices		±25	±130	
			A4 device		±25	±100	
dV _{OS} /dT	Offset drift, RTI	$V_{\text{SENSE}} = 0\text{mV}$, $T_A = -40^\circ\text{C to } 125^\circ\text{C}$			0.2	0.5	μV/°C
PSRR	Power supply rejection ratio, RTI	$V_S = 2.7\text{V to } 5.5\text{V}$, $V_{\text{IN}+} = 12\text{V}$, $V_{\text{SENSE}} = 0\text{mV}$			±8	±30	μV/V
I _{IB}	Input bias current	$V_{\text{SENSE}} = 0\text{mV}$, $V_{\text{CM}} = 0\text{V}$			-6		μA
					75		
I _{IO}	Input offset current	$V_{\text{SENSE}} = 0\text{mV}$			±0.05		μA
OUTPUT							
G	Gain		A1 devices			20	V/V
			A2 devices			50	
			A3 devices			100	
			A4 devices			200	
E _G	Gain error	$V_{\text{OUT}} = 0.5\text{V to } V_S - 0.5\text{V}$, $T_A = -40^\circ\text{C to } 125^\circ\text{C}$	A1, A2, A3 devices		±0.05%	±0.2%	
			A4 device		±0.07%	±0.25%	
	Gain error drift	$T_A = -40^\circ\text{C to } 125^\circ\text{C}$			1.5	8	ppm/°C
	Nonlinearity error	$V_{\text{OUT}} = 0.5\text{V to } V_S - 0.5\text{V}$			±0.01%		
	Maximum capacitive load	No sustained oscillation			1		nF
VOLTAGE OUTPUT ⁽²⁾							
V _{SP}	Swing to V _S	$R_L = 10\text{k}\Omega$ to GND, $T_A = -40^\circ\text{C to } 125^\circ\text{C}$			(V+) - 0.02	(V+) - 0.026	V
V _{SN}	Swing to GND	$R_L = 10\text{k}\Omega$ to GND, $V_{\text{IN}+} - V_{\text{IN}-} = -10\text{mV}$, $T_A = -40^\circ\text{C to } 125^\circ\text{C}$			(V _{GND}) + 0.0005	(V _{GND}) + 0.0035	V
V _{SG}	Zero current swing to GND	$R_L = \text{Open}$, $V_{\text{IN}+} - V_{\text{IN}-} = 0\text{mV}$, $V_{\text{REF}} = 0\text{V}$, $T_A = -40^\circ\text{C to } 125^\circ\text{C}$	A1 devices		(V _{GND}) + 0.0005	(V _{GND}) + 0.006	V
			A2, A3, A4 devices		(V _{GND}) + 0.0005	(V _{GND}) + 0.012	
FREQUENCY RESPONSE							
BW	Bandwidth	C _{LOAD} = 10pF	A1 devices			350	kHz
			A2 devices			210	
			A3 devices			150	
			A4 devices			105	
SR	Slew rate				2		V/μs
NOISE, RTI ⁽¹⁾							
	Voltage noise density				40		nV/√Hz
POWER SUPPLY							
I _Q	Quiescent current	$V_{\text{SENSE}} = 0\text{mV}$			200	260	μA
		$V_{\text{SENSE}} = 0\text{mV}$, $T_A = -40^\circ\text{C to } 125^\circ\text{C}$				300	

(1) RTI = referred-to-input.

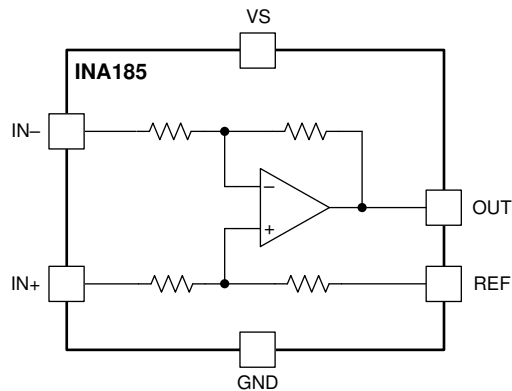
(2) See Typical Characteristic curve, *Output Voltage Swing vs Output Current*

6 Detailed Description

6.1 Overview

The INA185-Q1 is a 26V common-mode current-sensing amplifier used in both low-side and high-side configurations. This specially-designed, current-sensing amplifier accurately measures voltages developed across current-sensing resistors on common-mode voltages that far exceed the supply voltage powering the device. Current can be measured on input voltage rails as high as 26V, and the device can be powered from supply voltages as low as 2.7V.

6.2 Functional Block Diagrams



6.3 Feature Description

6.3.1 High Bandwidth and Slew Rate

The INA185-Q1 supports small-signal bandwidths as high as 350kHz, and large-signal slew rates of 2V/μs. The ability to detect rapid changes in the sensed current, as well as the ability to quickly slew the output, make the INA185-Q1 a good choice for applications that require a quick response to input current changes. One application that requires high bandwidth and slew rate is low-side motor control, where the ability to follow rapid changing current in the motor allows for more accurate control over a wider operating range. Another application that requires higher bandwidth and slew rates is system fault detection, where the INA185-Q1 is used with an external comparator and a reference to quickly detect when the sensed current is out of range.

6.3.2 Bidirectional Current Monitoring

The INA185-Q1 senses current flow through a sense resistor in both directions. The bidirectional current-sensing capability is achieved by applying a voltage at the REF pin to offset the output voltage. A positive differential voltage sensed at the inputs results in an output voltage that is greater than the applied reference voltage. Likewise, a negative differential voltage at the inputs results in output voltage that is less than the applied reference voltage. Use [方程式 1](#) to calculate the output voltage of the current-sense amplifier.

$$V_{\text{OUT}} = (I_{\text{LOAD}} \times R_{\text{SENSE}} \times \text{GAIN}) + V_{\text{REF}} \quad (1)$$

where

- I_{LOAD} is the load current to be monitored.
- R_{SENSE} is the current-sense resistor.
- GAIN is the gain option of the selected device.
- V_{REF} is the voltage applied to the REF pin.

6.3.3 Wide Input Common-Mode Voltage Range

The INA185-Q1 supports input common-mode voltages from -0.2V to 26V . Due to the internal topology, the common-mode range is not restricted by the power-supply voltage (V_S) as long as V_S stays within the operational range of 2.7V to 5.5V . The ability to operate with common-mode voltages greater or less than V_S allows the INA185-Q1 to be used in high-side, as well as low-side, current-sensing applications, as shown in [Figure 6-1](#).

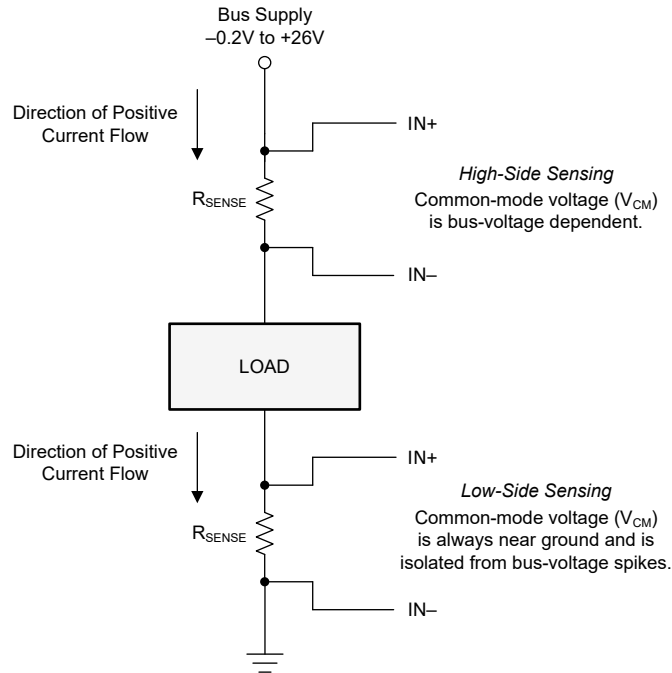


图 6-1. High-Side and Low-Side Sensing Connections

6.3.4 Precise Low-Side Current Sensing

When used in low-side current sensing applications, the offset voltage of the INA185-Q1 is within $\pm 55\mu\text{V}$ for A2, A3 and A4 devices. The low offset performance of the INA185-Q1 has two main benefits. First, the low offset allows these devices to be used in applications that must measure current over a wide dynamic range. In this case, the low offset improves the accuracy when the sensed currents are on the low end of the measurement range. The other advantage of low offset is the ability to sense lower voltage drop across the sense resistor accurately, thus allowing a lower-value shunt resistor. Lower-value shunt resistors reduce power loss in the current sense circuit, and help improve the power efficiency of the end application.

The gain error of the INA185-Q1 is specified to be within 0.2% of the actual value for A1, A2, and A3 devices. As the sensed voltage becomes much larger than the offset voltage, this voltage becomes the dominant source of error in the current sense measurement.

6.3.5 Rail-to-Rail Output Swing

The INA185-Q1 allows linear current sensing operation with the output close to the supply rail and GND. The maximum specified output swing to the positive rail is 25mV , and the maximum specified output swing to GND is only 3.5mV . To compare the output swing of the INA185-Q1 to an equivalent operational amplifier (op amp), the inputs are overdriven to approximate the open-loop condition specified in many operational amplifier data sheets. The current-sense amplifier is a closed-loop system, therefore the output swing to GND can be limited by the offset voltage and amplifier gain during unidirectional operation ($V_{\text{REF}} = 0\text{V}$) when there is zero current flowing through the sense resistor. To define the maximum output voltage under the zero current condition, the INA185-Q1 *Electrical Characteristics* table specifies a maximum output voltage of 6mV for the A1 device, and 12mV for all other devices.

6.4 Device Functional Modes

6.4.1 Normal Mode

The INA185-Q1 is in normal operation when the following conditions are met:

- The power supply voltage (V_S) is between 2.7V and 5.5V.
- The common-mode voltage (V_{CM}) is within the specified range of $-0.2V$ to $26V$.
- The maximum differential input signal multiplied by the gain plus V_{REF} is less than V_S minus the output voltage swing to V_S .
- The minimum differential input signal multiplied by the gain plus V_{REF} is greater than the swing to GND (see the [Rail-to-Rail Output Swing](#) section).

During normal operation, these devices produce an output voltage that is the *gained-up* representation of the difference voltage from $IN+$ to $IN-$ plus the reference voltage at V_{REF} .

6.4.2 Unidirectional Mode

This device is capable of monitoring current flowing in one direction (unidirectional) or in both directions (bidirectional) depending on how the REF pin is configured. The most common case is unidirectional, where the output is set to ground when no current is flowing by connecting the REF pin to ground, as shown in [图 6-2](#). When the current flows from the bus supply to the load, the input signal across $IN+$ to $IN-$ increases, and causes the output voltage at the OUT pin to increase.

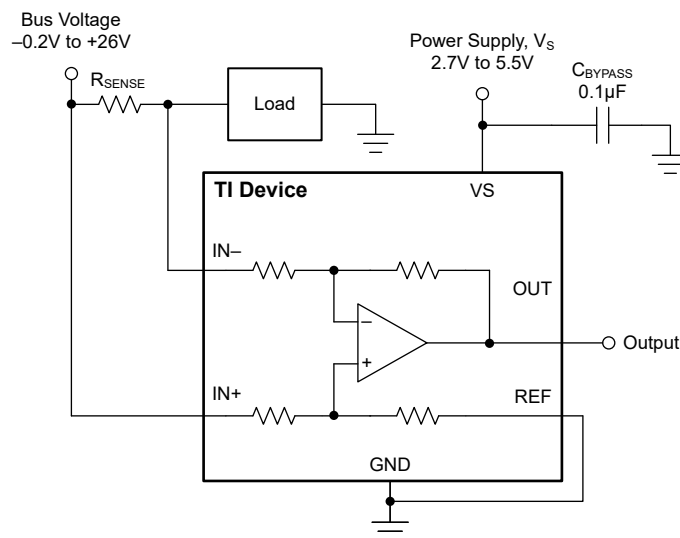


图 6-2. Unidirectional Application

The linear range of the output stage is limited by how close the output voltage can approach ground under zero input conditions. In unidirectional applications where measuring very low input currents is desirable, bias the REF pin to a convenient value above 50mV to get the output into the linear range of the device. To limit common-mode rejection errors, buffer the reference voltage connected to the REF pin.

A less-frequently used output biasing method is to connect the REF pin to the power-supply voltage, V_S . This method results in the output voltage saturating at 25mV less than the supply voltage when no differential input signal is present. This method is similar to the output saturated low condition with no input signal when the REF pin is connected to ground. The output voltage in this configuration only responds to negative currents that develop negative differential input voltage relative to the device $IN-$ pin. Under these conditions, when the differential input signal increases negatively, the output voltage moves downward from the saturated supply voltage. The voltage applied to the REF pin must not exceed V_S .

6.4.3 Bidirectional Mode

The INA185-Q1 is a bidirectional current-sense amplifier capable of measuring currents through a resistive shunt in two directions. This bidirectional monitoring is common in applications that include charging and discharging operations where the current flowing through the resistor can change directions.

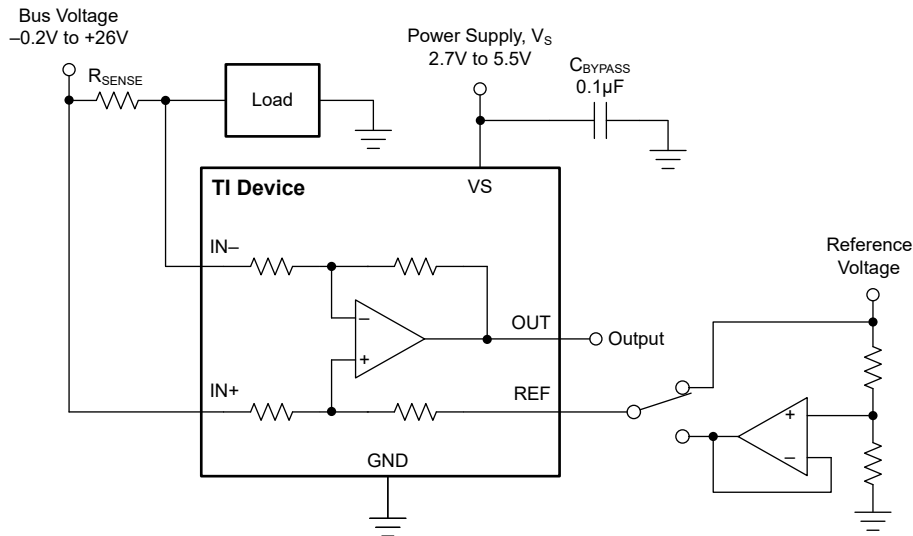


图 6-3. Bidirectional Application

The ability to measure this current flowing in both directions is enabled by applying a voltage to the REF pin, as shown in 图 6-3. The voltage applied to REF (V_{REF}) sets the output state that corresponds to the zero-input level state. The output then responds by increasing above V_{REF} for positive differential signals (relative to the IN - pin) and responds by decreasing below V_{REF} for negative differential signals. This reference voltage applied to the REF pin can be set anywhere between 0V to V_S . For bidirectional applications, V_{REF} is typically set at mid-scale for equal signal range in both current directions. In some cases, however, V_{REF} is set at a voltage other than midscale when the bidirectional current and corresponding output signal do not need to be symmetrical.

6.4.4 Input Differential Overload

If the differential input voltage ($V_{IN+} - V_{IN-}$) times gain plus the reference voltage exceeds the voltage swing specification, the INA185-Q1 drives the output as close as possible to the positive supply or ground, and does not provide accurate measurement of the differential input voltage. If this input overload occurs during normal circuit operation, then reduce the value of the shunt resistor or use a lower-gain version with the chosen sense resistor to avoid this mode of operation. If a differential overload occurs in a fault event, then the output of the INA185-Q1 returns to the expected value approximately 20µs after the fault condition is removed.

6.4.5 Shutdown Mode

Although the INA185-Q1 does not have a shutdown pin, the low power consumption of these devices allows the output of a logic gate or transistor switch to power the INA185-Q1. This gate or switch turns on and off the INA185-Q1 power-supply quiescent current.

However, in current shunt monitoring applications, the amount of current drained from the shunt circuit in shutdown conditions is also a concern. Evaluating this current drain involves considering the simplified schematic of the INA185-Q1 in shutdown mode, as shown in 图 6-4.

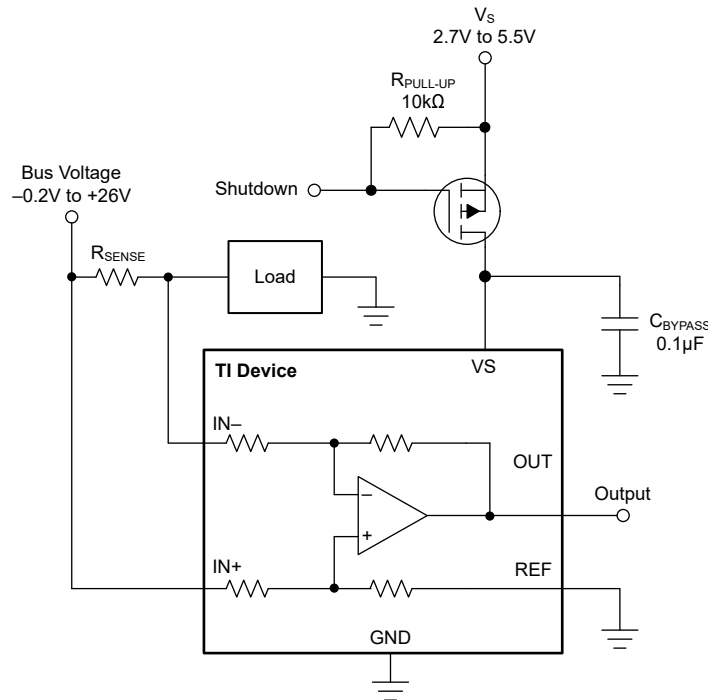


图 6-4. Basic Circuit to Shut Down the INA185-Q1 With a Grounded Reference

There is typically more than 500kΩ of impedance (from the combination of 500kΩ feedback and input gain set resistors) from each input of the INA185-Q1 to the OUT pin and to the REF pin. The amount of current flowing through these pins depends on the voltage at the connection. For example, if the REF pin is grounded, the calculation of the effect of the 500kΩ impedance from the shunt to ground is straightforward. However, if the reference is powered while the INA185-Q1 is in shutdown mode, the input current is determined by the 500kΩ impedance and the voltage difference between the positive input and the voltage applied to the REF pin.

Regarding the 500kΩ path to the output pin, the output stage of a disabled INA185-Q1 does constitute a good path to ground. Consequently, this current is directly proportional to a shunt common-mode voltage present across a 500kΩ resistor.

As long as the shunt common-mode voltage is greater than V_S when the device is powered up, there is an additional and well-matched 55µA typical current that flows in each of the inputs. If less than V_S , the common-mode input currents are negligible, and the only current effects are the result of the 500kΩ resistors.

7 Application and Implementation

备注

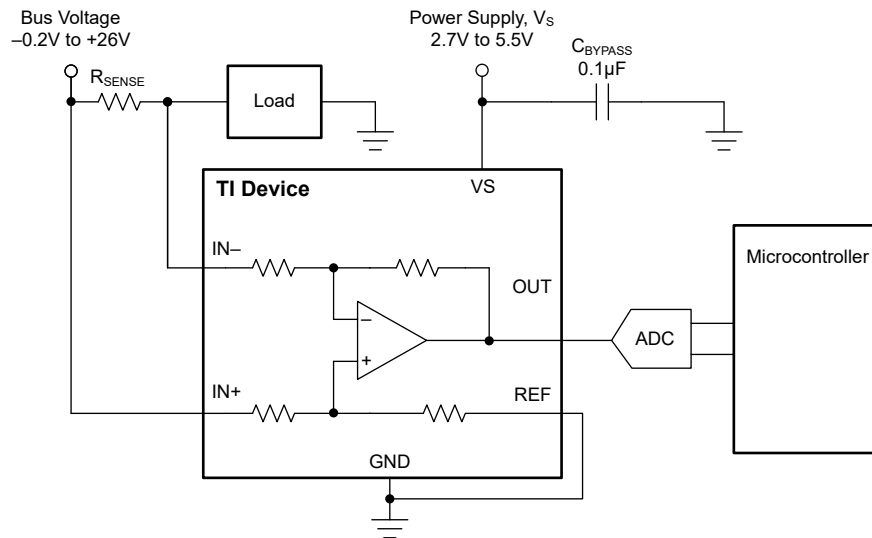
以下应用部分中的信息不属于 TI 器件规格的范围，TI 不担保其准确性和完整性。TI 的客户应负责确定器件是否适用于其应用。客户应验证并测试其设计，以确保系统功能。

7.1 Application Information

The INA185-Q1 amplifies the voltage developed across a current-sensing resistor as current flows through the resistor to the load or ground. The ability to drive the reference pin to adjust the functionality of the output signal offers multiple configurations, as discussed in previous sections.

7.1.1 Basic Connections

图 7-1 shows the basic connections of the INA185-Q1. Connect the input pins (IN+ and IN-) to the shunt resistor as close as possible to minimize any resistance in series with the shunt resistor.



NOTE: To help eliminate ground offset errors between the device and the analog-to-digital converter (ADC), connect the REF pin to the ADC reference input and then to ground. For best performance, use an RC filter between the output of the INA185-Q1 and the ADC. See the [Closed-Loop Analysis of Load-Induced Amplifier Stability Issues Using ZOUT](#) application note for more details.

图 7-1. Basic Connections for the INA185-Q1

A power-supply bypass capacitor of at least 0.1µF is required for proper operation. Applications with noisy or high-impedance power supplies can require additional decoupling capacitors to reject power-supply noise. Connect bypass capacitors close to the device pins.

7.1.2 R_{SENSE} and Device Gain Selection

User can choose a current-sense resistor that is as large as possible to maximize the accuracy of the INA185-Q1. A large sense resistor maximizes the differential input signal for a given amount of current flow and reduces the error contribution of the offset voltage. However, there are practical limits as to how large the current-sense resistor can be in a given application. The INA185-Q1 has a typical input bias current of 75µA for each input when operated at a 12V common-mode voltage input. When large current-sense resistors are used, these bias currents cause increased offset error and reduced common-mode rejection. Therefore, using current-sense resistors larger than a few ohms is generally not recommended for applications that require current-monitoring accuracy. Another common restriction on the value of the current-sense resistor is the maximum allowable power dissipation that is budgeted for the resistor. [方程式 2](#) gives the maximum value for the current sense resistor for a given power dissipation budget:

$$R_{\text{SENSE}} < \frac{PD_{\text{MAX}}}{I_{\text{MAX}}^2} \quad (2)$$

where:

- PD_{MAX} is the maximum allowable power dissipation in R_{SENSE} .
- I_{MAX} is the maximum current that flows through R_{SENSE} .

An additional limitation on the size of the current-sense resistor and device gain is due to the power-supply voltage, V_S , and device swing-to-rail limitations. To make sure that the current-sense signal is properly passed to the output, both positive and negative output swing limitations must be examined. [方程式 3](#) provides the maximum values of R_{SENSE} and GAIN to keep the device from hitting the positive swing limitation.

$$I_{\text{MAX}} \times R_{\text{SENSE}} \times \text{GAIN} < V_{\text{SP}} - V_{\text{REF}} \quad (3)$$

where:

- I_{MAX} is the maximum current that flows through R_{SENSE} .
- GAIN is the gain of the current sense-amplifier.
- V_{SP} is the positive output swing specified in the data sheet.
- V_{REF} is the externally applied voltage on the REF pin.

To avoid positive output swing limitations when selecting the value of R_{SENSE} , there is always a trade-off between the value of the sense resistor and the gain of the device to consider. If the sense resistor selected for the maximum power dissipation is too large, then selecting a lower-gain device to avoid positive swing limitations is possible.

The negative swing limitation places a limit on how small of a sense resistor can be used in a given application. [方程式 4](#) provides the limit on the minimum size of the sense resistor.

$$I_{\text{MIN}} \times R_{\text{SENSE}} \times \text{GAIN} > V_{\text{SN}} - V_{\text{REF}} \quad (4)$$

where:

- I_{MIN} is the minimum current that flows through R_{SENSE} .
- GAIN is the gain of the current sense amplifier.
- V_{SN} is the negative output swing of the device (see [Rail-to-Rail Output Swing](#)).
- V_{REF} is the externally applied voltage on the REF pin.

In addition to adjusting the offset and gain, the voltage applied to the REF pin can be slightly increased to avoid negative swing limitations.

7.1.3 Signal Filtering

Provided that the INA185-Q1 output is connected to a high-impedance input, the best location to filter is at the device output using a simple RC network from OUT to GND. Filtering at the output attenuates high-frequency disturbances in the common-mode voltage, differential input signal, and the INA185-Q1 power-supply voltage. If filtering at the output is not possible, or filtering of only the differential input signal is required, then apply a filter at the input pins of the device. 图 7-2 provides an example of how a filter can be used on the input pins of the device.

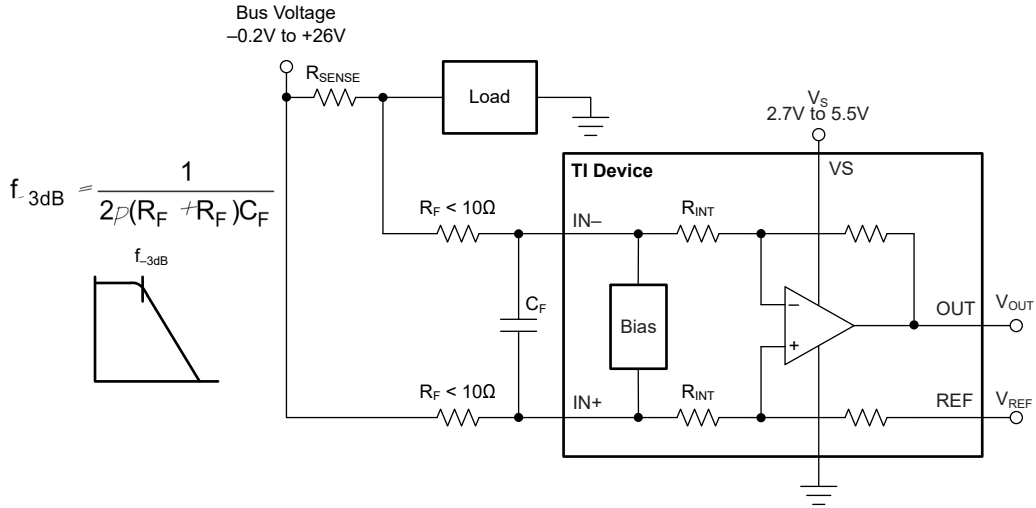


图 7-2. Filter at Input Pins

The addition of external series resistance creates an additional error in the measurement, therefore the value of these series resistors must be kept to 10 Ω (or less, if possible) to reduce impact to accuracy. The internal bias network (图 7-2) present at the input pins creates a mismatch in input bias currents when a differential voltage is applied between the input pins. If additional external series filter resistors are added to the circuit, the mismatch in bias currents results in a mismatch of voltage drops across the filter resistors. This mismatch creates a differential error voltage that subtracts from the voltage developed across the shunt resistor. This error results in a voltage at the device input pins that is different than the voltage developed across the shunt resistor. Without the additional series resistance, the mismatch in input bias currents has little effect on device operation. Use 方程式 5 to calculate the gain error factor, then use 方程式 6 to calculate the amount of error these external filter resistors add to the measurement.

The amount of variance in the differential voltage present at the device input relative to the voltage developed at the shunt resistor is based both on the external series resistance (R_F) value as well as the internal input resistor R_{INT} , as shown in 图 7-2. The reduction of the shunt voltage reaching the device input pins appears as a gain error when comparing the output voltage relative to the voltage across the shunt resistor. A factor can be calculated to determine the amount of gain error that is introduced by the addition of external series resistance. Use 方程式 5 to calculate the expected deviation from the shunt voltage to what is measured at the device input pins:

$$\text{Gain Error Factor} = \frac{1250 \times R_{INT}}{(1250 \times R_F) + (1250 \times R_{INT}) + (R_F \times R_{INT})} \quad (5)$$

where:

- R_{INT} is the internal input resistor.
- R_F is the external series resistance.

With the adjustment factor from [方程式 5](#), including the device internal input resistance, this factor varies with each gain version, as shown in [表 7-1](#). Each individual device gain error factor is shown in [表 7-2](#).

表 7-1. Input Resistance

PRODUCT	GAIN	R _{INT} (kΩ)
INA185A1	20	25
INA185A2	50	10
INA185A3	100	5
INA185A4	200	2.5

表 7-2. Device Gain Error Factor

PRODUCT	SIMPLIFIED GAIN ERROR FACTOR
INA185A1	$\frac{25000}{(21 \times R_F) + 25000}$
INA185A2	$\frac{10000}{(9 \times R_F) + 10000}$
INA185A3	$\frac{1000}{R_F + 1000}$
INA185A4	$\frac{2500}{(3 \times R_F) + 2500}$

The gain error that can be expected from the addition of the external series resistors can then be calculated based on [方程式 6](#):

$$\text{Gain Error (\%)} = 100 - (100 \times \text{Gain Error Factor}) \quad (6)$$

For example, using an INA185A2 and the corresponding gain error equation from [表 7-2](#), a series resistance of 10Ω results in a gain error factor of 0.991. The corresponding gain error is then calculated using [方程式 6](#), resulting in an additional gain error of approximately 0.89% solely because of the external 10Ω series resistors.

7.2 Typical Application

One application for the INA185-Q1 is to monitor bidirectional currents. Bidirectional currents are present in systems that have to monitor currents in both directions; common examples are monitoring the charging and discharging of batteries and bidirectional current monitoring in motor control. 图 7-3 shows the device configuration for bidirectional current monitoring. Applying stable REF pin voltage closer to the middle of device supply voltage allows both positive- and negative-current monitoring, as shown in this configuration. Configure the INA185-Q1 to monitor unidirectional currents by grounding the REF pin.

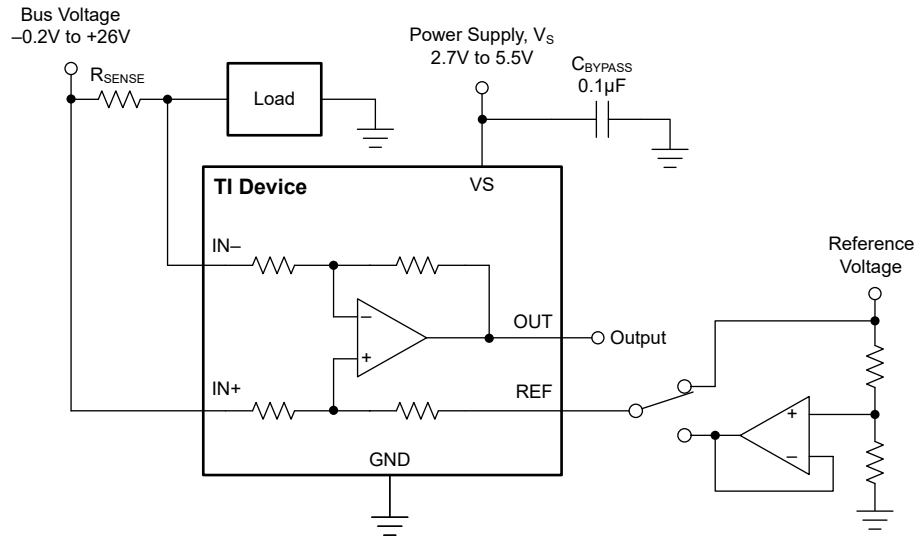


图 7-3. Measuring Bidirectional Current

7.2.1 Design Requirements

The design requirements for the circuit shown in 图 7-3, are listed in 表 7-3.

表 7-3. Design Parameters

DESIGN PARAMETER	EXAMPLE VALUE
Power-supply voltage, V_S	5V
Bus supply rail, V_{CM}	12V
R_{SENSE} power loss	< 450mW
Maximum sense current, I_{MAX}	$\pm 20A$
Current sensing error	Less than 1% at maximum current, $T_J = 25^\circ C$
Small-signal bandwidth	> 100kHz

7.2.2 Detailed Design Procedure

The maximum value of the current sense resistor is calculated based on the maximum power loss requirement. By applying 方程式 2, the maximum value of the current-sense resistor is $1.125m\Omega$. This is the maximum value for sense resistor R_{SENSE} ; therefore, set R_{SENSE} to $1m\Omega$ as this value is the closest standard resistor value that meets the power-loss requirement.

The next step is to select the appropriate gain and reduce R_{SENSE} , if needed, to keep the output signal swing within the V_S range. The design requirements call for bidirectional current monitoring; therefore, a voltage between 0 and V_S must be applied to the REF pin. The bidirectional currents monitored are symmetric around 0 (that is, $\pm 20A$); therefore, the ideal voltage to apply to V_{REF} is $V_S / 2$ or 2.5V. If the positive current is greater than the negative current, using a lower voltage on V_{REF} has the benefit of maximizing the output swing for the given range of expected currents. Using 方程式 3, and given that $I_{MAX} = 20A$, $R_{SENSE} = 1m\Omega$, and $V_{REF} = 2.5V$, the maximum current-sense gain calculated to avoid the positive swing-to-rail limitations on the output is 122.5V/V.

Likewise, using 方程式 4 for the negative-swing limitation results in a maximum gain of 124.75V/V. Selecting the gain-of-100 device maximizes the output range while staying within the output swing range. If the maximum calculated gains are slightly less than 100V/V, the value of the current-sense resistor can be reduced to keep the output from hitting the output-swing limitations.

To calculate the accuracy at peak current, the two factors that must be determined are the gain error and the offset error. The gain error of the INA185A3 is specified to be a maximum of 0.2%. The error due to the offset is constant, and is specified to be 130 μ V (maximum) for the conditions where $V_{CM} = 12V$ and $V_S = 5V$. Using 方程式 7, the percentage error contribution of the offset voltage is calculated to be 0.65%, with total offset error = 130 μ V, $R_{SENSE} = 1m\Omega$, and $I_{SENSE} = 20A$.

$$\text{Total Offset Error (\%)} = \frac{\text{Total Offset Error (V)}}{I_{SENSE} \times R_{SENSE}} \times 100\% \quad (7)$$

One method of calculating the total error is to add the gain error to the percentage contribution of the offset error. However, in this case, the gain error and the offset error do not have an influence or correlation to each other. A more statistically-accurate method of calculating the total error is to use the RSS sum of the errors, as shown in 方程式 8:

$$\text{Total Error (\%)} = \sqrt{\text{Total Gain Error (\%)}^2 + \text{Total Offset Error (\%)}^2} \quad (8)$$

After applying 方程式 8, the total current sense error at maximum current is calculated to be 0.68%, which is less than the design example requirement of 1%.

The INA185A3 (gain = 100V/V) also has a bandwidth of 150kHz that meets the small-signal bandwidth requirement of 100kHz. If higher bandwidth is required, lower-gain devices can be used at the expense of either reduced output voltage range or an increased value of R_{SENSE} .

7.2.3 Application Curve

图 7-4 shows an example output response of a bidirectional configuration. With the REF pin connected to a reference voltage (2.5V in this case), the output voltage is biased upwards by this reference level. The output rises above the reference voltage for positive differential input signals, and falls below the reference voltage for negative differential input signals.

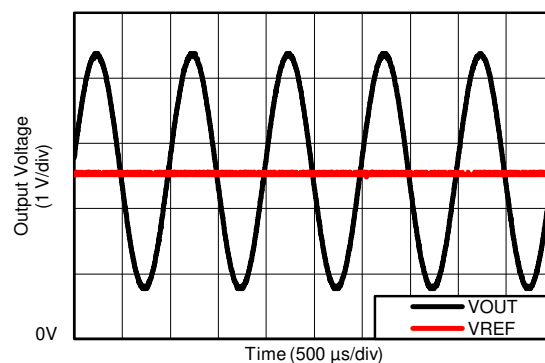


图 7-4. Bidirectional Application Output Response

7.3 Power Supply Recommendations

The input circuitry of the INA185-Q1 allows for accurate measurements beyond the power-supply voltage, V_S . For example, V_S can be 5V, whereas the bus supply voltage at IN+ and IN- can be as high as 26V. However, the output voltage range of the OUT pin is limited by the voltages on the VS pin. The INA185-Q1 also withstands the full differential input signal range up to 26V at the IN+ and IN- input pins, regardless of whether or not the device has power applied at the VS pin.

7.3.1 Common-Mode Transients Greater Than 26V

With a small amount of additional circuitry, the INA185-Q1 can be used in circuits that are subjected to transients higher than 26V, such as automotive applications. Use only Zener diodes or Zener-type transient absorbers (sometimes referred to as *transorbs*)—any other type of transient absorber has an unacceptable time delay. Start by adding a pair of resistors as a working impedance for the Zener diode. See [图 7-5](#). Keep these resistors as small as possible; most often, around 10Ω. Larger values can be used with an effect on gain that is discussed in the [Signal Filtering](#) section. This circuit limits only short-term transients, therefore many applications are satisfied with a 10Ω resistor along with conventional Zener diodes of the lowest acceptable power rating. This combination uses the least amount of board space. These diodes can be found in packages as small as SOT-523 or SOD-523.

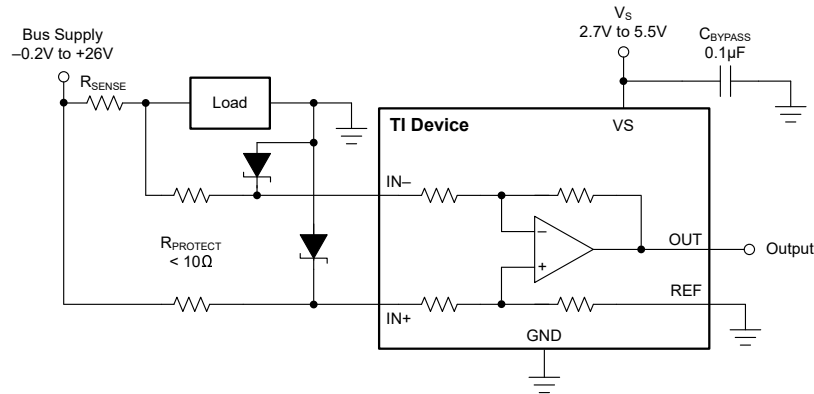


图 7-5. Transient Protection Using Dual Zener Diodes

In the event that low-power Zener diodes do not have sufficient transient absorption capability, a higher-power transorb must be used. The most package-efficient solution involves using a single transorb and back-to-back diodes between the device inputs, as shown in [图 7-6](#). The most space-efficient solutions are dual, series-connected diodes in a single SOT-523 or SOD-523 package. In either of the examples shown in [图 7-5](#) and [图 7-6](#), the total board area required by the INA185-Q1 with all protective components is less than that of an SO-8 package, and only slightly greater than that of an MSOP-8 package.

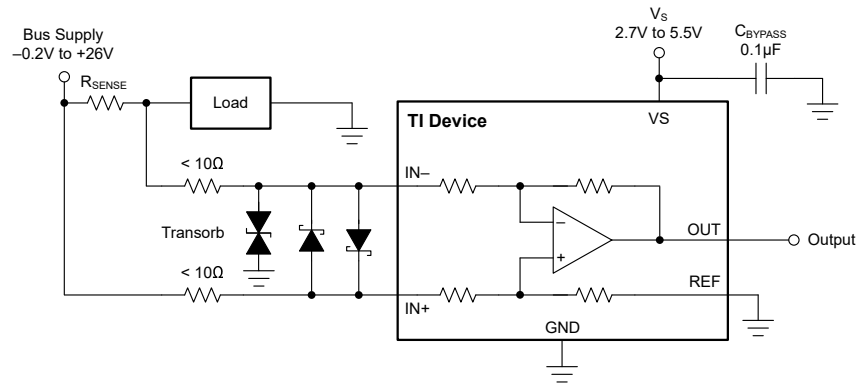


图 7-6. Transient Protection Using a Single Transorb and Input Clamps

For more information, see the [Current Shunt Monitor With Transient Robustness](#) reference design.

7.4 Layout

7.4.1 Layout Guidelines

- Connect the input pins to the sensing resistor using a Kelvin or 4-wire connection. This connection technique makes sure that only the current-sensing resistor impedance is detected between the input pins. Poor routing of the current-sensing resistor commonly results in additional resistance present between the input pins. Given the very-low ohmic value of the current resistor, any additional high-current carrying impedance can cause significant measurement errors.
- Place the power-supply bypass capacitor as close as possible to the device power supply and ground pins. The recommended value of this bypass capacitor is 0.1µF. Additional decoupling capacitance can be added to compensate for noisy or high-impedance power supplies.
- When routing the connections from the current sense resistor to the device, keep the trace lengths as close as possible to minimize any impedance mismatch.

7.4.2 Layout Example

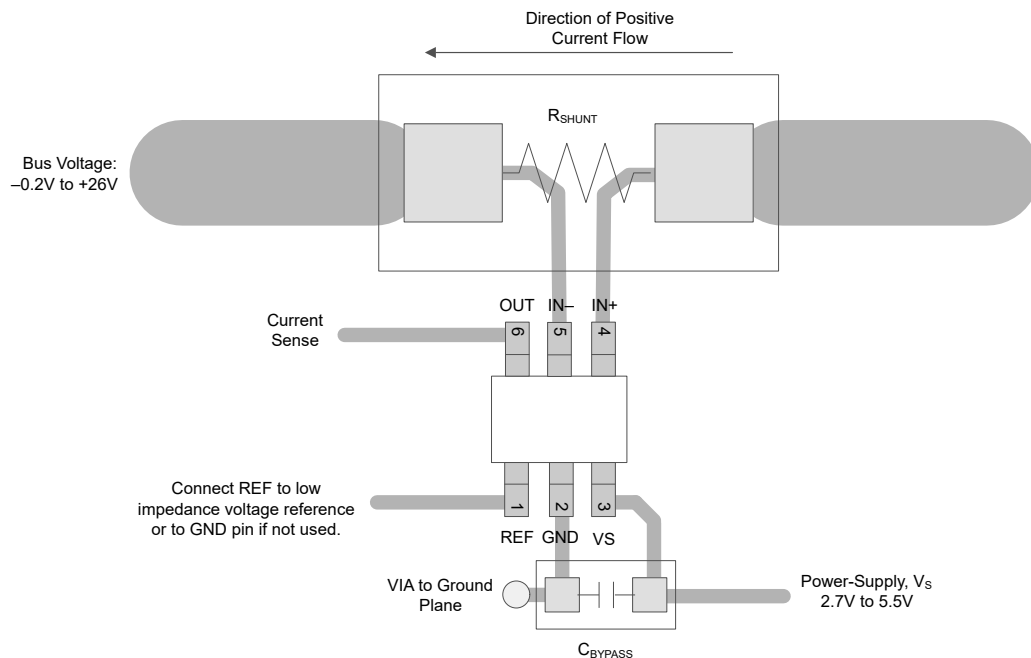


图 7-7. SC70 Recommended Layout

8 Device and Documentation Support

8.1 Device Support

8.1.1 Development Support

Texas Instruments, [Current shunt monitor with transient robustness](#), reference design

8.2 Documentation Support

8.2.1 Related Documentation

For related documentation see the following:

- Texas Instruments, [INA185EVM User's Guide](#) user's guide

8.3 接收文档更新通知

要接收文档更新通知，请导航至 [ti.com](#) 上的器件产品文件夹。点击 [通知](#) 进行注册，即可每周接收产品信息更改摘要。有关更改的详细信息，请查看任何已修订文档中包含的修订历史记录。

8.4 支持资源

[TI E2E™ 中文支持论坛](#) 是工程师的重要参考资料，可直接从专家处获得快速、经过验证的解答和设计帮助。搜索现有解答或提出自己的问题，获得所需的快速设计帮助。

链接的内容由各个贡献者“按原样”提供。这些内容并不构成 TI 技术规范，并且不一定反映 TI 的观点；请参阅 TI 的 [使用条款](#)。

8.5 Trademarks

TI E2E™ is a trademark of Texas Instruments.

所有商标均为其各自所有者的财产。

8.6 静电放电警告



静电放电 (ESD) 会损坏这个集成电路。德州仪器 (TI) 建议通过适当的预防措施处理所有集成电路。如果不遵守正确的处理和安装程序，可能会损坏集成电路。

ESD 的损坏小至导致微小的性能降级，大至整个器件故障。精密的集成电路可能更容易受到损坏，这是因为非常细微的参数更改都可能会导致器件与其发布的规格不相符。

8.7 术语表

[TI 术语表](#) 本术语表列出并解释了术语、首字母缩略词和定义。

9 Revision History

注：以前版本的页码可能与当前版本的页码不同

DATE	REVISION	NOTES
February 2024	*	Initial Release

10 Mechanical, Packaging, and Orderable Information

The following pages include mechanical, packaging, and orderable information. This information is the most current data available for the designated devices. This data is subject to change without notice and revision of this document. For browser-based versions of this data sheet, refer to the left-hand navigation.

PACKAGING INFORMATION

Orderable Device	Status (1)	Package Type	Package Drawing	Pins	Package Qty	Eco Plan (2)	Lead finish/ Ball material (6)	MSL Peak Temp (3)	Op Temp (°C)	Device Marking (4/5)	Samples
INA185A1QDCKRQ1	ACTIVE	SC70	DCK	6	3000	RoHS & Green	NIPDAU	Level-1-260C-UNLIM	-40 to 125	1Q8	Samples
INA185A2QDCKRQ1	ACTIVE	SC70	DCK	6	3000	RoHS & Green	NIPDAU	Level-1-260C-UNLIM	-40 to 125	1Q9	Samples
INA185A3QDCKRQ1	ACTIVE	SC70	DCK	6	3000	RoHS & Green	NIPDAU	Level-1-260C-UNLIM	-40 to 125	1QA	Samples
INA185A4QDCKRQ1	ACTIVE	SC70	DCK	6	3000	RoHS & Green	NIPDAU	Level-1-260C-UNLIM	-40 to 125	1QB	Samples

(1) The marketing status values are defined as follows:

ACTIVE: Product device recommended for new designs.

LIFEBUY: TI has announced that the device will be discontinued, and a lifetime-buy period is in effect.

NRND: Not recommended for new designs. Device is in production to support existing customers, but TI does not recommend using this part in a new design.

PREVIEW: Device has been announced but is not in production. Samples may or may not be available.

OBSELETE: TI has discontinued the production of the device.

(2) **RoHS:** TI defines "RoHS" to mean semiconductor products that are compliant with the current EU RoHS requirements for all 10 RoHS substances, including the requirement that RoHS substance do not exceed 0.1% by weight in homogeneous materials. Where designed to be soldered at high temperatures, "RoHS" products are suitable for use in specified lead-free processes. TI may reference these types of products as "Pb-Free".

RoHS Exempt: TI defines "RoHS Exempt" to mean products that contain lead but are compliant with EU RoHS pursuant to a specific EU RoHS exemption.

Green: TI defines "Green" to mean the content of Chlorine (Cl) and Bromine (Br) based flame retardants meet JS709B low halogen requirements of <=1000ppm threshold. Antimony trioxide based flame retardants must also meet the <=1000ppm threshold requirement.

(3) MSL, Peak Temp. - The Moisture Sensitivity Level rating according to the JEDEC industry standard classifications, and peak solder temperature.

(4) There may be additional marking, which relates to the logo, the lot trace code information, or the environmental category on the device.

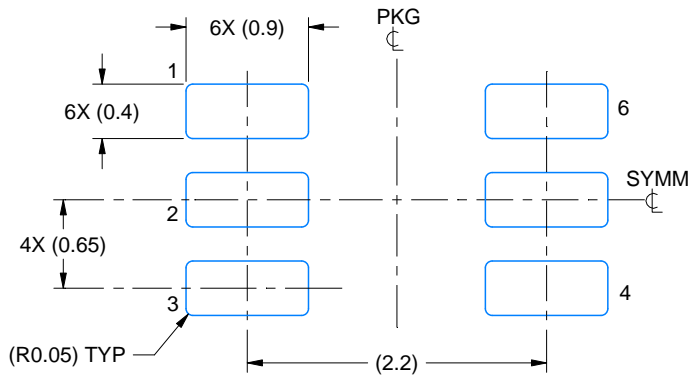
(5) Multiple Device Markings will be inside parentheses. Only one Device Marking contained in parentheses and separated by a "-" will appear on a device. If a line is indented then it is a continuation of the previous line and the two combined represent the entire Device Marking for that device.

(6) Lead finish/Ball material - Orderable Devices may have multiple material finish options. Finish options are separated by a vertical ruled line. Lead finish/Ball material values may wrap to two lines if the finish value exceeds the maximum column width.

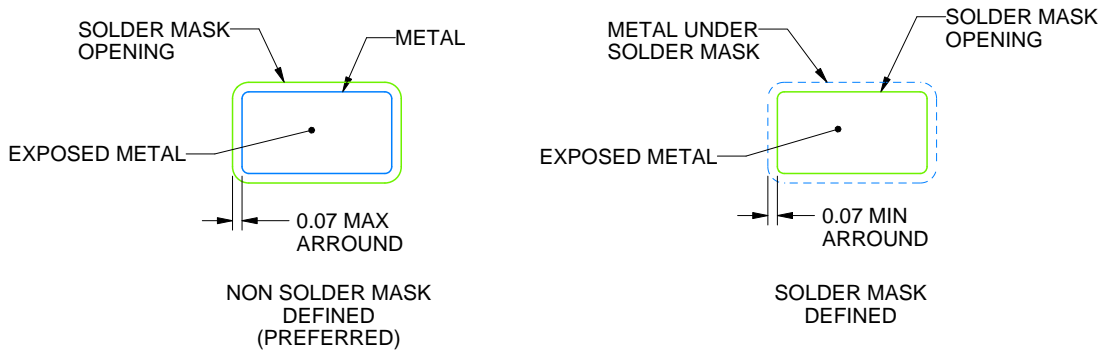
Important Information and Disclaimer:The information provided on this page represents TI's knowledge and belief as of the date that it is provided. TI bases its knowledge and belief on information provided by third parties, and makes no representation or warranty as to the accuracy of such information. Efforts are underway to better integrate information from third parties. TI has taken and

continues to take reasonable steps to provide representative and accurate information but may not have conducted destructive testing or chemical analysis on incoming materials and chemicals. TI and TI suppliers consider certain information to be proprietary, and thus CAS numbers and other limited information may not be available for release.

In no event shall TI's liability arising out of such information exceed the total purchase price of the TI part(s) at issue in this document sold by TI to Customer on an annual basis.



LAND PATTERN EXAMPLE
EXPOSED METAL SHOWN
SCALE:18X



SOLDER MASK DETAILS

4214835/B 04/2024

NOTES: (continued)

- 5. Publication IPC-7351 may have alternate designs.
- 6. Solder mask tolerances between and around signal pads can vary based on board fabrication site.



SOLDER PASTE EXAMPLE
BASED ON 0.125 THICK STENCIL
SCALE:18X

4214835/B 04/2024

NOTES: (continued)

7. Laser cutting apertures with trapezoidal walls and rounded corners may offer better paste release. IPC-7525 may have alternate design recommendations.
8. Board assembly site may have different recommendations for stencil design.

重要声明和免责声明

TI“按原样”提供技术和可靠性数据（包括数据表）、设计资源（包括参考设计）、应用或其他设计建议、网络工具、安全信息和其他资源，不保证没有瑕疵且不做任何明示或暗示的担保，包括但不限于对适销性、某特定用途方面的适用性或不侵犯任何第三方知识产权的暗示担保。

这些资源可供使用 TI 产品进行设计的熟练开发人员使用。您将自行承担以下全部责任：(1) 针对您的应用选择合适的 TI 产品，(2) 设计、验证并测试您的应用，(3) 确保您的应用满足相应标准以及任何其他功能安全、信息安全、监管或其他要求。

这些资源如有变更，恕不另行通知。TI 授权您仅可将这些资源用于研发本资源所述的 TI 产品的应用。严禁对这些资源进行其他复制或展示。您无权使用任何其他 TI 知识产权或任何第三方知识产权。您应全额赔偿因在这些资源的使用中对 TI 及其代表造成的任何索赔、损害、成本、损失和债务，TI 对此概不负责。

TI 提供的产品受 [TI 的销售条款](#) 或 [ti.com](#) 上其他适用条款/TI 产品随附的其他适用条款的约束。TI 提供这些资源并不会扩展或以其他方式更改 TI 针对 TI 产品发布的适用的担保或担保免责声明。

TI 反对并拒绝您可能提出的任何其他或不同的条款。

邮寄地址：Texas Instruments, Post Office Box 655303, Dallas, Texas 75265
Copyright © 2024，德州仪器 (TI) 公司